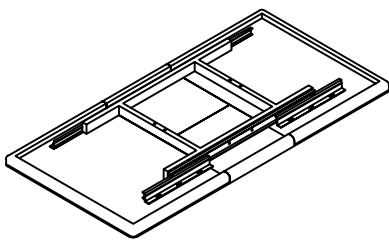
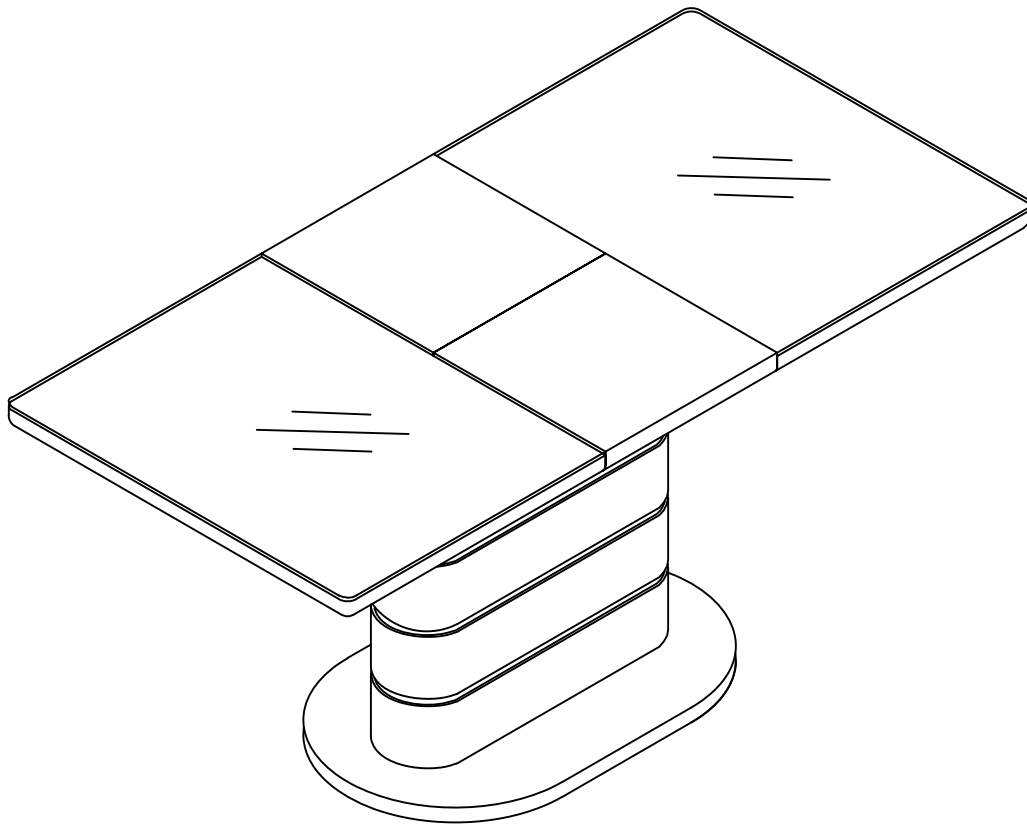
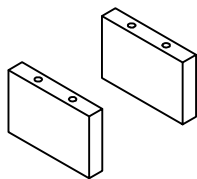


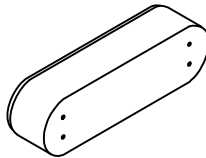
ASSEMBLY INSTRUCTION



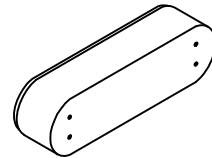
① x1



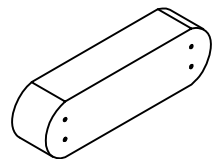
② x2



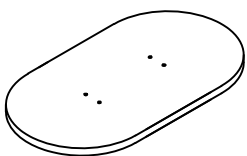
③ x1



④ x2

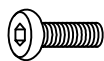


⑤ x1



⑥ x1

A(M6x13)x2



B(M4)x1



C(M8x690)x4



D(M8)x4



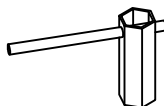
E(Ø22*1.5)x4



F(M8)x4



G(M8)x1



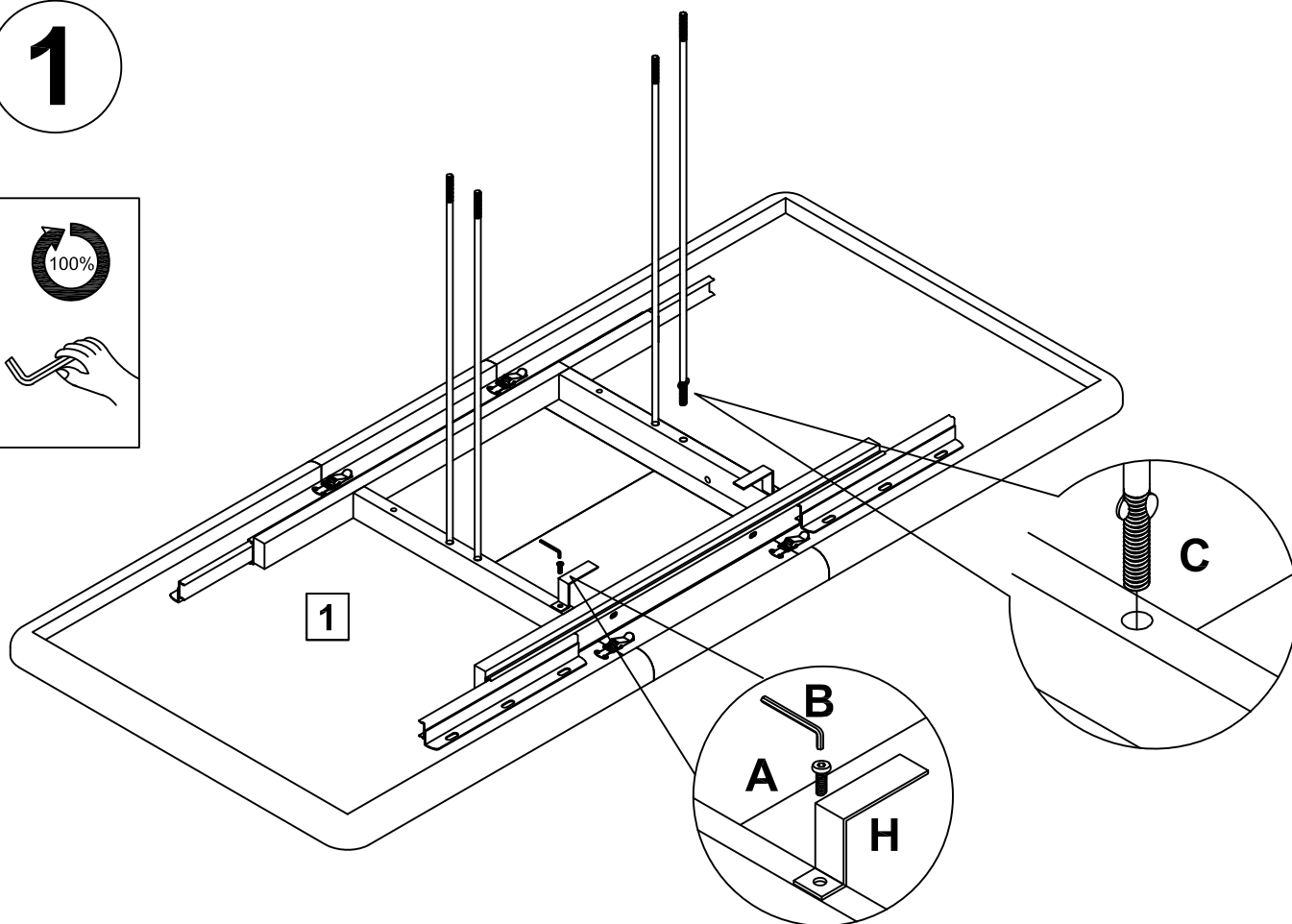
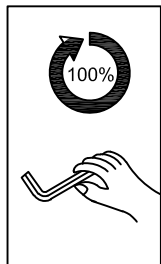
Hx2



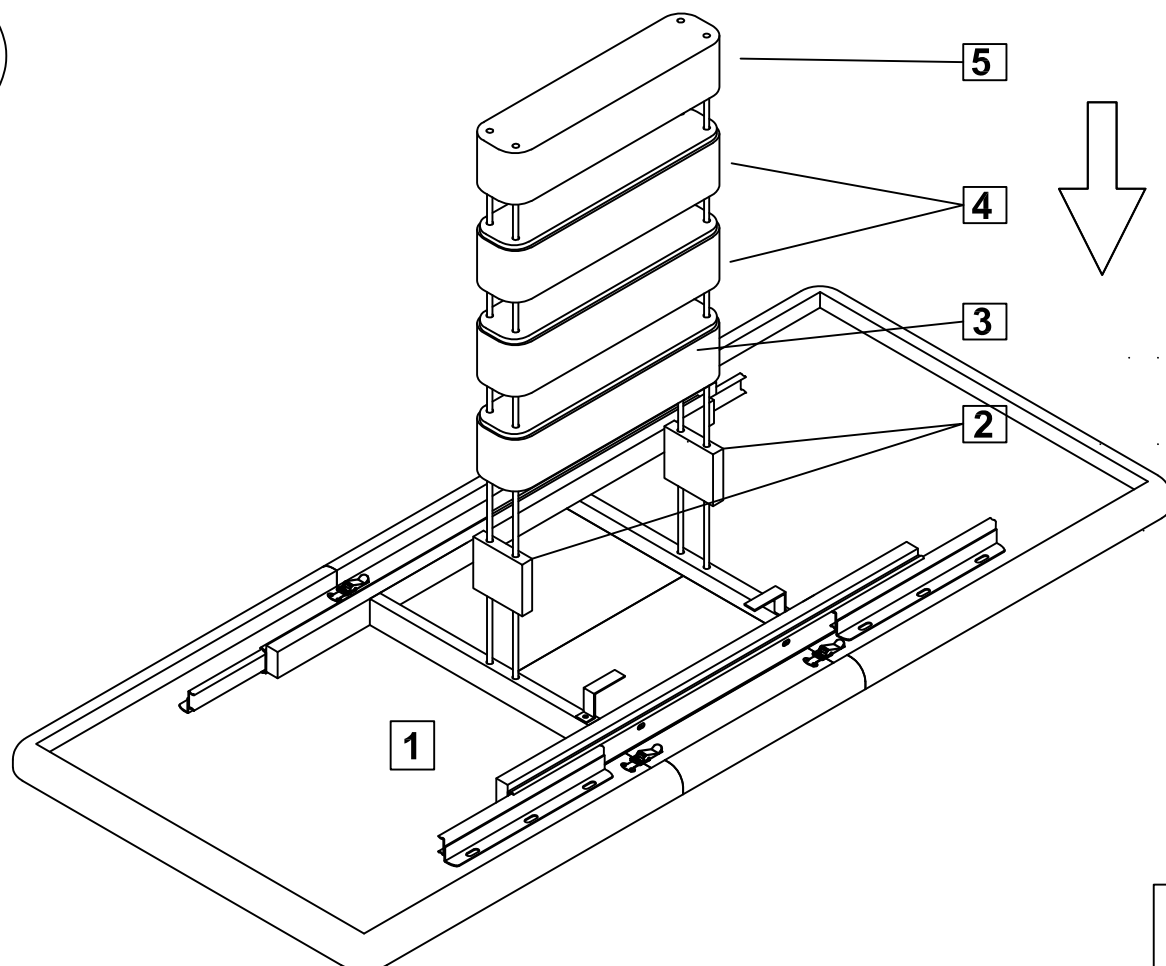
I(M6x15)x8



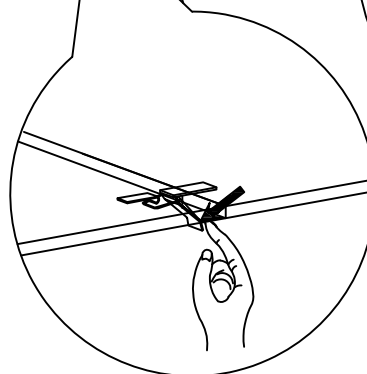
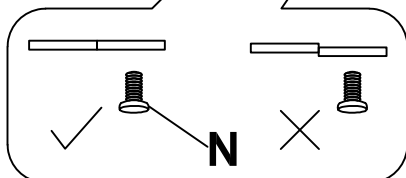
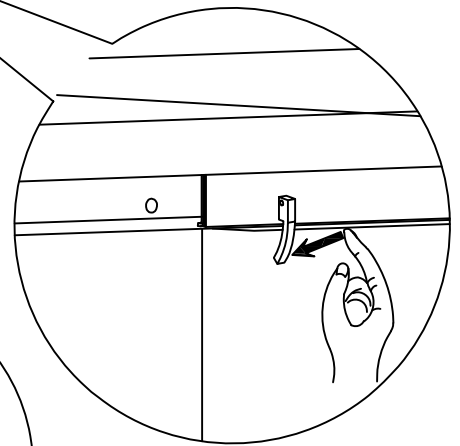
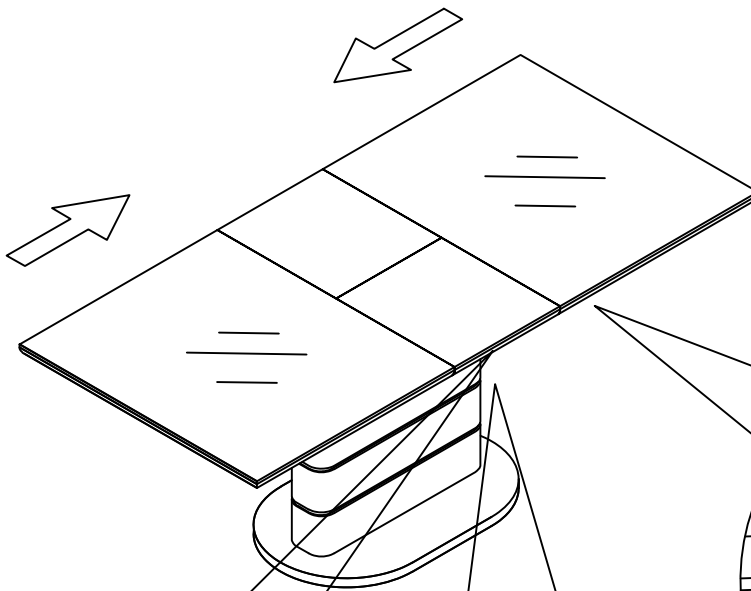
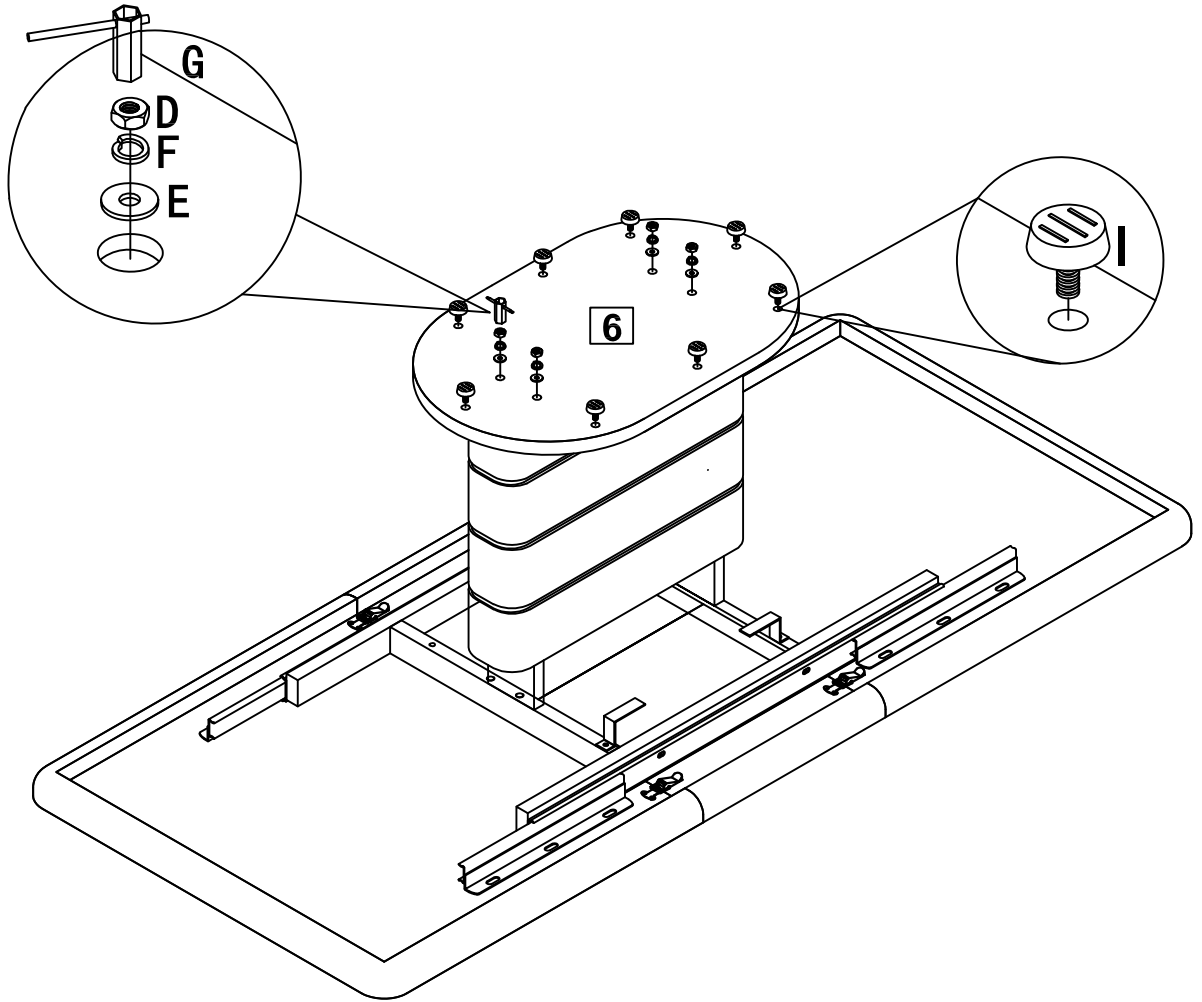
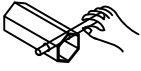
1



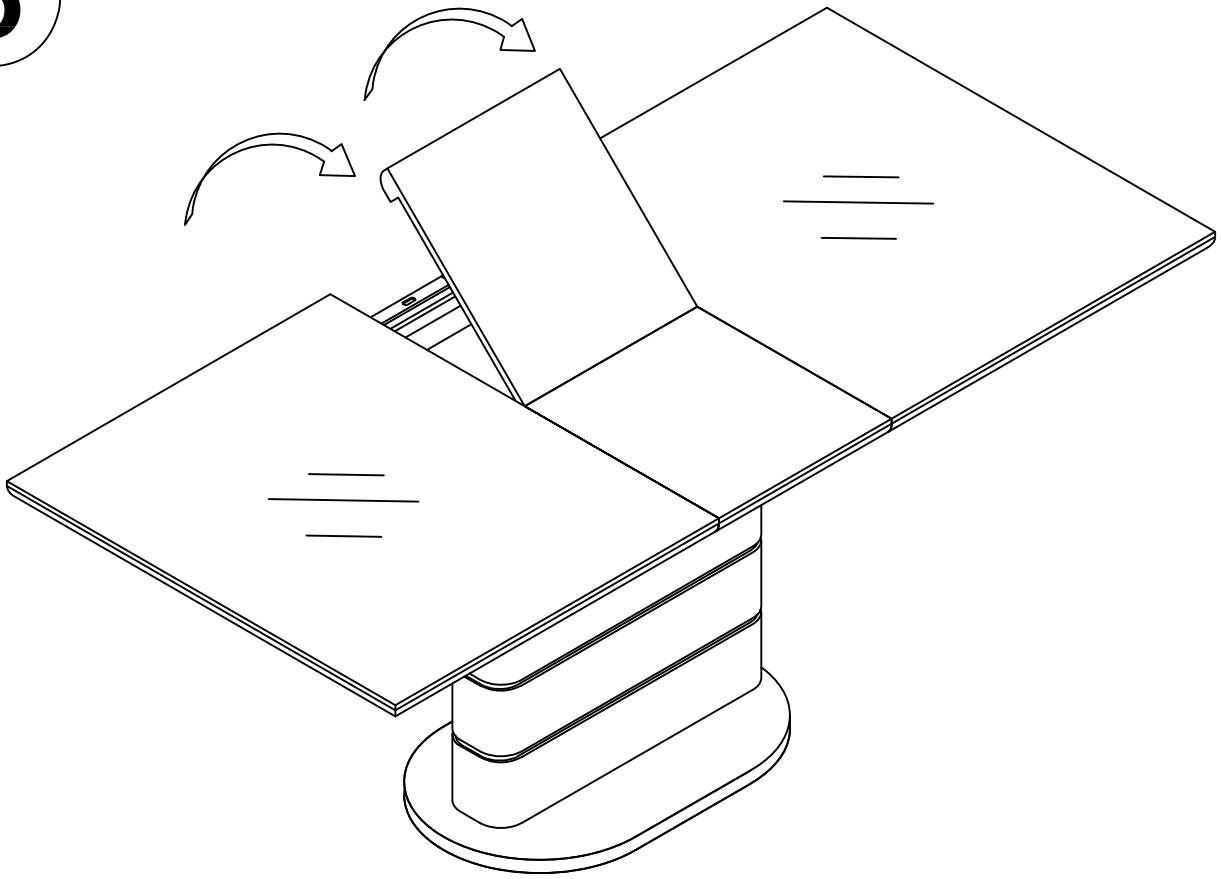
2



3



5



6

